

Technical characteristics

Description

- D82/D92 wall and pillar covers are designed for use with the M82/M92 demountable partition systems.

Dimensions

- Standard module width between axes: 1,200 mm
- Standard floor/ceiling heights: 2,700 mm and 3,100 mm
- Tolerance absorption capacity on height: ± 20 mm
- Cover thickness: 38 -118 mm

Frame

- Visible profiling and inner frame in Sendzimir galvanised steel.
- Quality in accordance with European standard EN 10142-A1:1994 (DX51D+Z).

Paintwork

- Previously degreased.
- Electrostatically coated with polyester powder or polyester epoxy and polymerised in furnace at 200°C.
- Average paint coat thickness: 50/60 microns.
- Colour tolerance: DIN 5033 standard.

Outer faces and mineral fibre

D82

- Plasterboard or woodchip panels coated with semi-rigid vinyl, cotton-gauze or cellulose-based vinyl. Other coating options include woods (for woodchip panels), laminates, etc. to be selected from the Movinord finish range.
Total thickness: 13 mm.

D92

- Woodchip hardboard panels, edged and coated in the same options as D82.

Inner insulation with semi-rigid, 20-mm thick, 30/40-Kg/m³ Mineral Fibre. Reaction to fire: M0 (Incombustible).

Levelling

- The D82 system is equipped a telescopic system capable of compensating for uneven wall surfaces of up to 80 mm.

Fittings

- Metal fittings treated with the same paint, zinc, bichromated coating, etc. depending on case.

Performances

Demountability, re-installation

- Each component can be completely demounted independently of the rest: on the D82, thanks to the horizontal and vertical splice profiles clipped along the entire length of the frame; on the D92, thanks to the splice joints which create the grooves on the hidden profiling design.

Amovility

- Module re-installation and interchangeability: 100%.

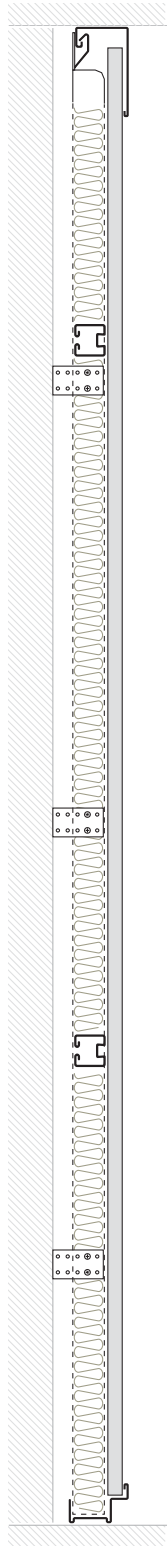
Movinord Quality

All the processes used in the design, production, distribution and sale of MOVINORD's D82/D92 wall cover are quality assurance certified by AENOR (Spanish Standardisation and Certification Association) and IQNET (International Quality Network) per EN ISO 9001: 2000.

Sections

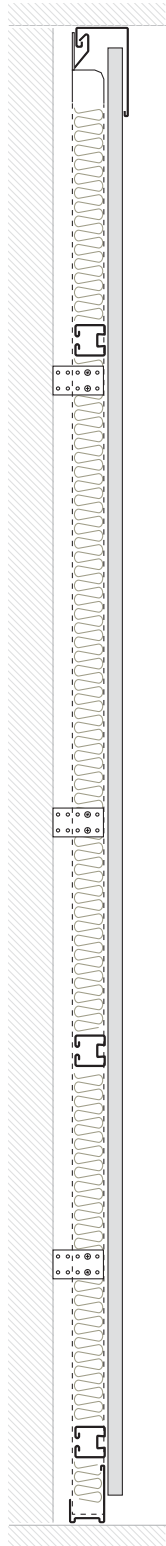
D82

Vertical section



D92

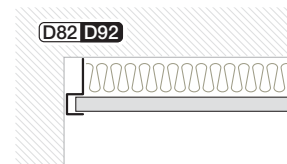
Vertical section



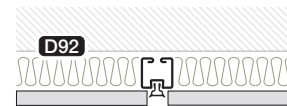
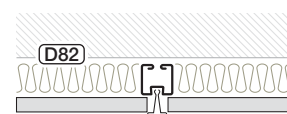
D82 D92

Horizontal sections

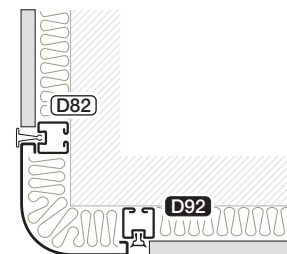
Wall and partition start



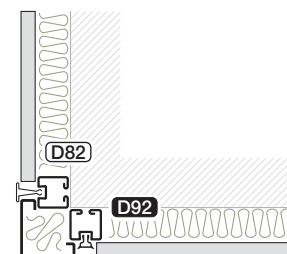
Stud



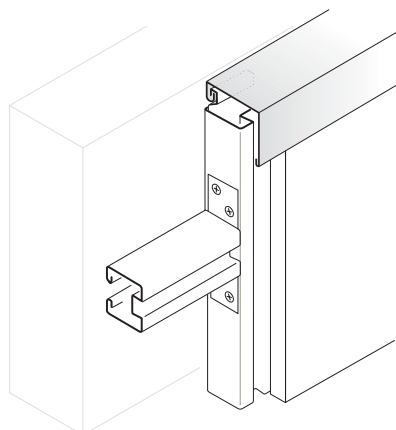
Outer corner 90/40



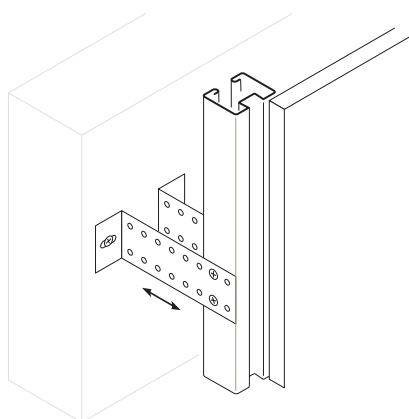
Outer corner 90/3



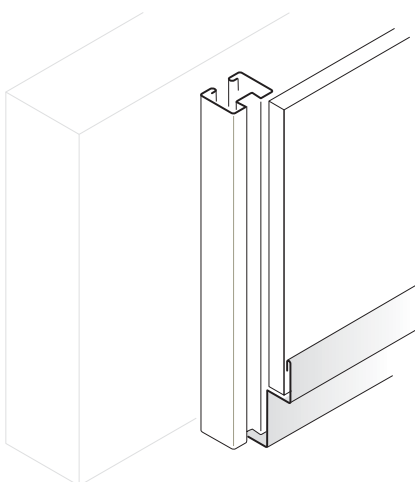
Fixtures



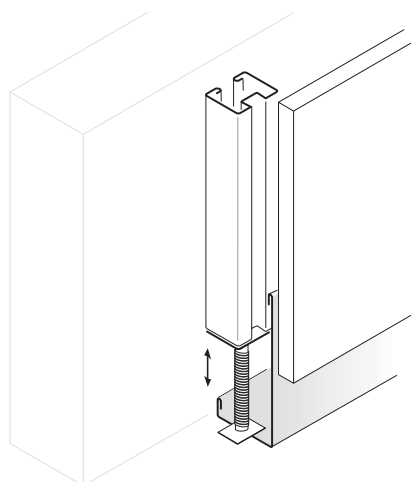
D82 D92
Self-supporting system



D82 D92
Adjustable fixture



D82
Bottom runner



D92
Bottom runner with
adjustable leveller